

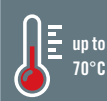
SA3

Pt100

CLASS
A

IEC
60751

IP
65



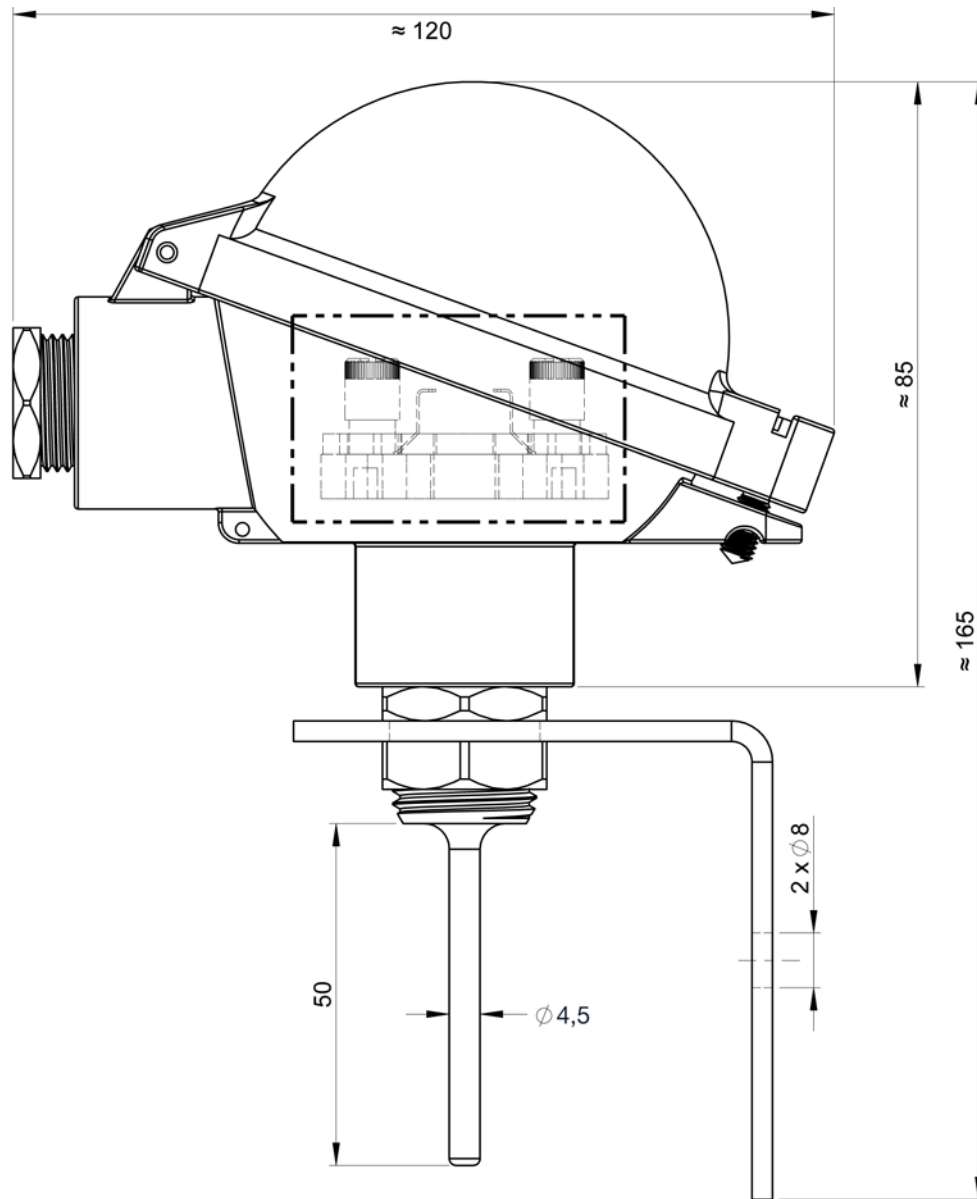
DESCRIPTION

Ambient temperature sensor in IP65 head for outdoor use.

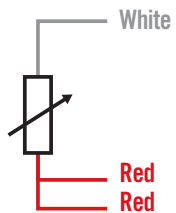
SPECIFICATIONS

Model	SA3	
Compliance with standards	IEC 60751	
Type	Pt100 Ω	
Class	A	
Mounting / Construction	1x3 wires	
Operating temp. (°C)	-30...+70°C	
Protective tube	Material	Stainless steel 316L
	Diameter (mm)	4.5mm
	Length L (mm)	50 mm
Head	Type	DAN-V, light alloy, IP65
	Output	Cable gland M20x1.5
	Connection	Ceramic terminal strip, 3 wires
	Fastening	Wall-mounting with stainless-steel bracket with 2 holes 8 mm in diameter
	Option	Version with transmitter, 4-20mA output (scale: -30°C / +70°C)
References	Without transmitter: L919253-001 With transmitter: L919253-002	

DIAGRAM



CONNECTION



For any other configuration, please contact us.